

— octo 88

The OCTO 88 is a levitation device consisting of 2 parts; a base module and a carrier. The base module is the octagonal non-floating part containing the technology. It has an optical sensor and needs electric power. The floating part is a magnetic disc, which is called the carrier. The carrier serves as a floating plateau on which you can place an object. It can also be integrated into the presentation object.

The OCTO 88 has a maximum levitation height of 87 mm and is capable of carrying loads of up to 10 kg.

Specs

Carrier (floating disc):
 Height: 24 mm (1")
 Diameter: 250 mm (9.9")
 Weight: 2,85 kg (6.3 Lb)

Module (base):
 Height: 30 mm (1.2")
 Width/Length: 404 mm (15.9")
 Weight: 9 kg (19.8 Lb)

OCTO 88 MAIN FEATURES

- High levitation height
- Excellent stability
- Easy to operate
- Robust optical sensing system
- Power efficient
- Ability to carry large loads

The OCTO 88 is activated by inserting the power plug into the mains. Support the carrier with your fingertips, rubber side down. Hold it over the base and centre it straight above the sensor until "lock" occurs and release the carrier. The presentation object can be placed on top of the carrier. Keep the centre of gravity in the middle and as low as possible. In order to achieve an optimal levitation set-up.

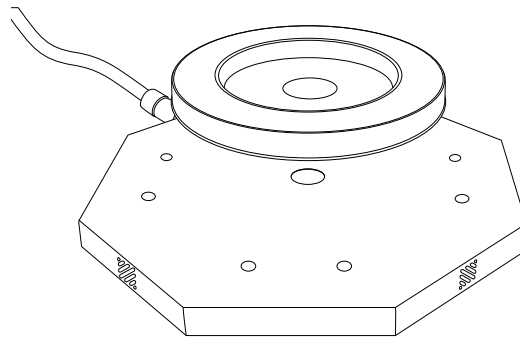
ELECTRICAL REQUIREMENTS & SAFETY

Connection: Two-pin EU standard electrical plug
 (US power plug optional)
 Voltage input (AC): 100-240V
 Voltage output: 18V
 Current: 5A peak
 Power consumption (rest position): <10 W

Both carrier and base contain powerful magnets. Crealev therefore advises that magnetic sensitive devices such as credit cards are kept at a distance of at least 50 mm (2") from the device.

Load - Levitation Height

0 kg (0 Lb)	87 mm (3.4")
5 kg (11 Lb)	48 mm (1.9")
10 kg (22 Lb)	32 mm (1.0")



88 mm floating height (max)
 ultra weight 🏋️ (max 10 kg)

